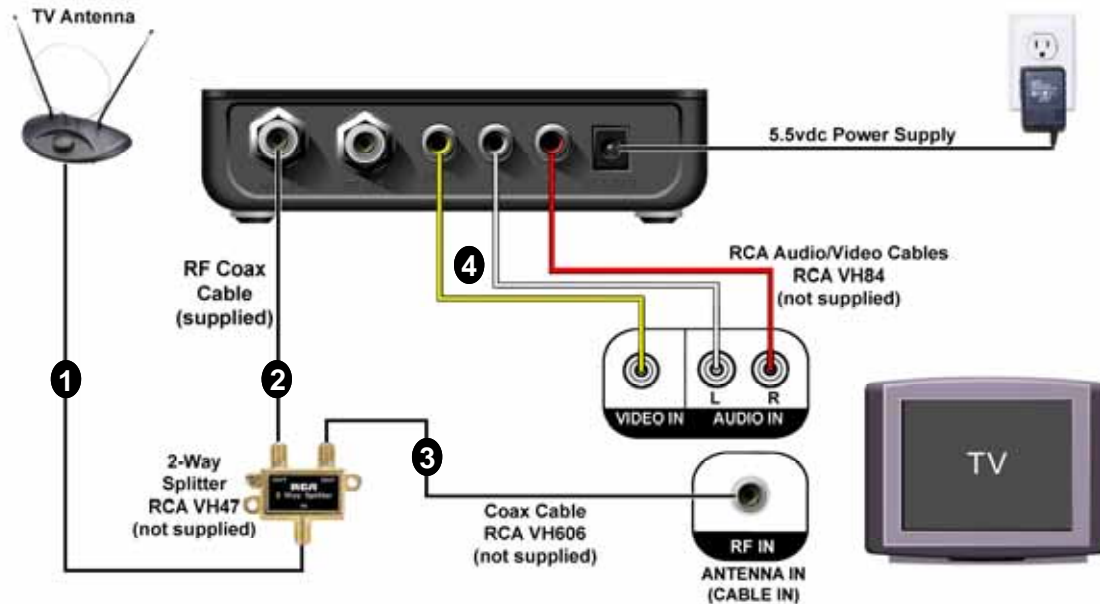


# Set Up to Receive Both Digital and Analog Signals TV with *RCA Audio/Video* INPUTS

## Additional items needed:

- Coax Splitter (RCA VH47)
- Additional Coax Cable (RCA VH606)
- RCA Audio/Video Cables (RCA VH84)

**Model: DTA1020**



- 1 Connect the antenna to the IN jack on 2-Way Splitter.
- 2 Using the supplied RF Coax Cable, connect one of the OUT jacks on the 2-Way Splitter to the ANT. IN jack on the back of the converter box.
- 3 Using another Coax Cable, connect the other OUT jack on the 2-Way Splitter to the RF IN (ANTENNA IN) jack on the back of your TV.
- 4 Connect the converter box to TV with RCA Audio/Video Cables.
- 5 Turn ON the converter box and TV.

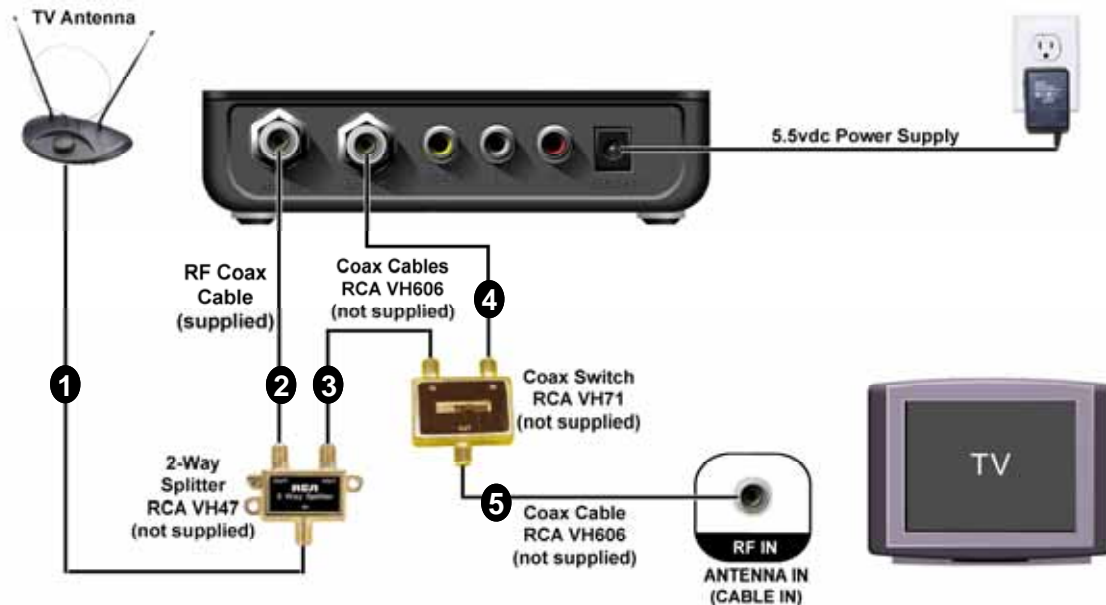
- Use the LINE (or VIDEO) INPUT on your TV to watch digital channels with the converter box.
- Use the TV's built-in tuner to watch analog channels.

# Set Up to Receive Both Digital and Analog Signals TV with ANTENNA (RF) INPUT

## Additional items needed:

- Coax Splitter (RCA VH47)
- Coax A/B Switch (RCA VH71)
- Additional Coax Cables (VH606) - QTY: 3

**Model: DTA1020**



- 1 Connect the antenna to the IN jack on 2-Way Splitter.
- 2 Using the supplied RF Coax Cable, connect one of the OUT jacks on the 2-Way Splitter to the ANT. IN jack on the back of the converter box.
- 3 Using another Coax Cable, connect the other OUT jack on the 2-Way Splitter to the IN jack of the Coax Switch.
- 4 Using another Coax Cable, connect RF OUT jack on the converter box to the IN jack of the Coax Switch
- 5 Connect the OUT jack of the 2-Way splitter to the RF IN (ANTENNA IN) jack on the back of your TV.
- 6 Turn ON the converter box and TV.

- Use one input of the Coax Switch to watch digital channels with the converter box (TV must be set to CH 3)
- Use the other input of the Coax Switch to use the TV's built-in tuner to watch analog channels.