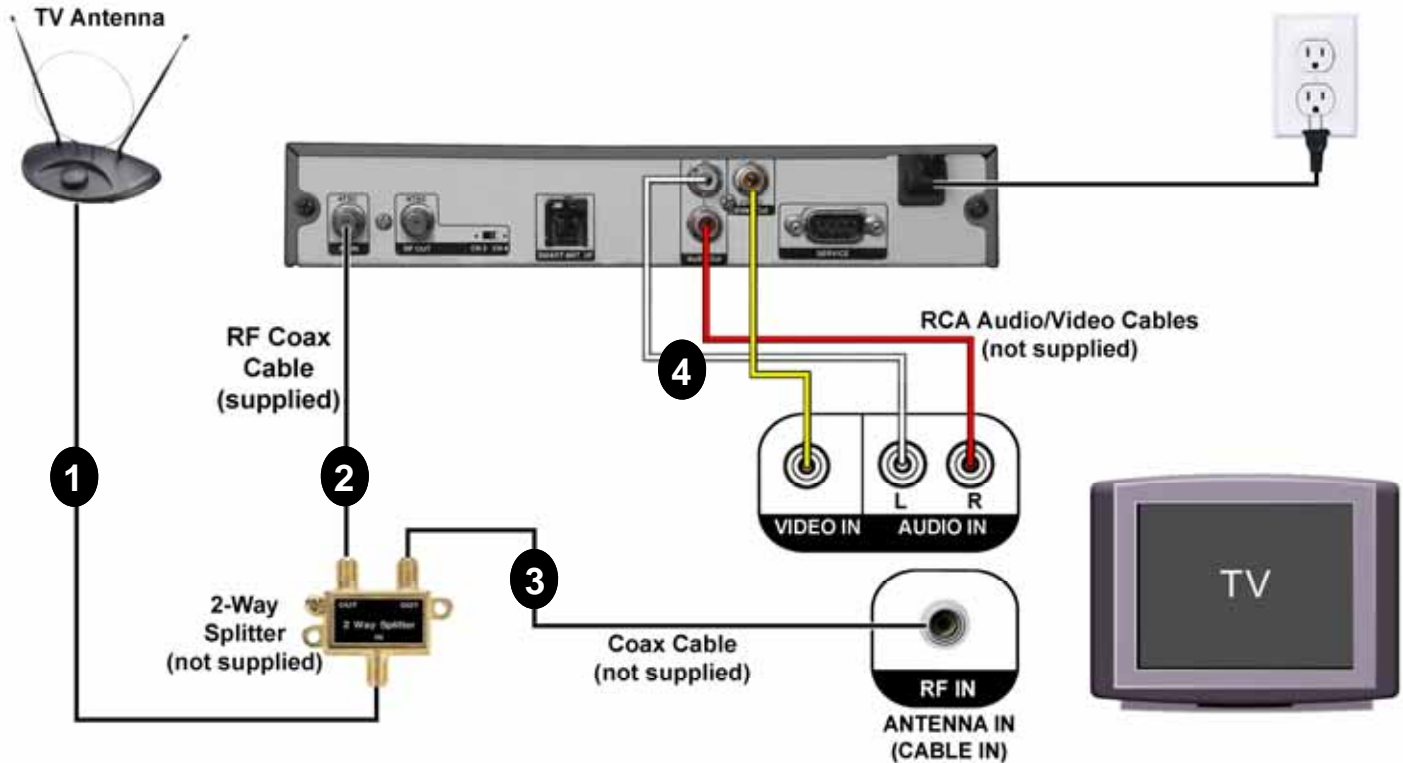


Set Up to Receive Both Digital and Analog Signals TV with RCA Audio/Video INPUTS

Additional items needed:

- Coax Splitter (Philips PH61000 or RCA VH47)
- Additional Coax Cable
- RCA Audio/Video Cables

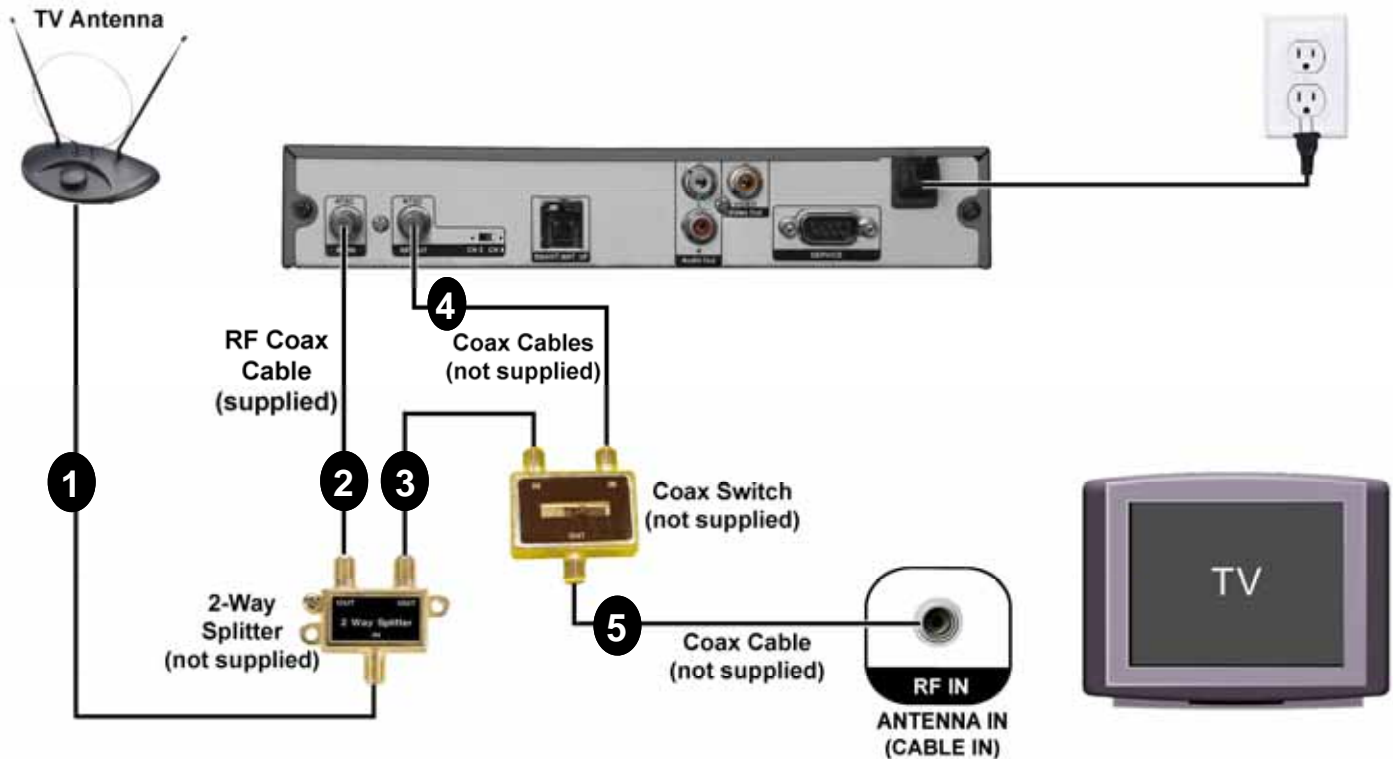
Model: DTA1010

- 1 Connect the antenna to the IN jack on 2-Way Splitter.
- 2 Using the supplied RF Coax Cable, connect one of the OUT jacks on the 2-Way Splitter to the ANT. IN jack on the back of the converter box.
- 3 Using another Coax Cable, connect the other OUT jack on the 2-Way Splitter to the RF IN (ANTENNA IN) jack on the back of your TV.
- 4 Connect the converter box to TV with RCA Audio/Video Cables.
- 5 Turn ON the converter box and TV.

- Use the LINE (or VIDEO) INPUT on your TV to watch digital channels with the converter box.
- Use the TV's built-in tuner to watch analog channels.

Additional items needed:

- Coax Splitter (Philips PH61000 or RCA VH47)
- Coax A/B Switch (Philips PH61700 or RCA VH71)
- Additional Coax Cables - QTY: 3

Model: DTA1010

- 1 Connect the antenna to the IN jack on 2-Way Splitter.
- 2 Using the supplied RF Coax Cable, connect one of the OUT jacks on the 2-Way Splitter to the ANT. IN jack on the back of the converter box.
- 3 Using another Coax Cable, connect the other OUT jack on the 2-Way Splitter to the IN jack of the Coax Switch.
- 4 Using another Coax Cable, connect RF OUT jack on the converter box to the IN jack of the Coax Switch.
- 5 Connect the OUT jack of the 2-Way splitter to the RF IN (ANTENNA IN) jack on the back of your TV.
- 6 Turn ON the converter box and TV.

- Use one input of the Coax Switch to watch digital channels with the converter box (TV must be set to CH 3)
- Use the other input of the Coax Switch to use the TV's built-in tuner to watch analog channels.